



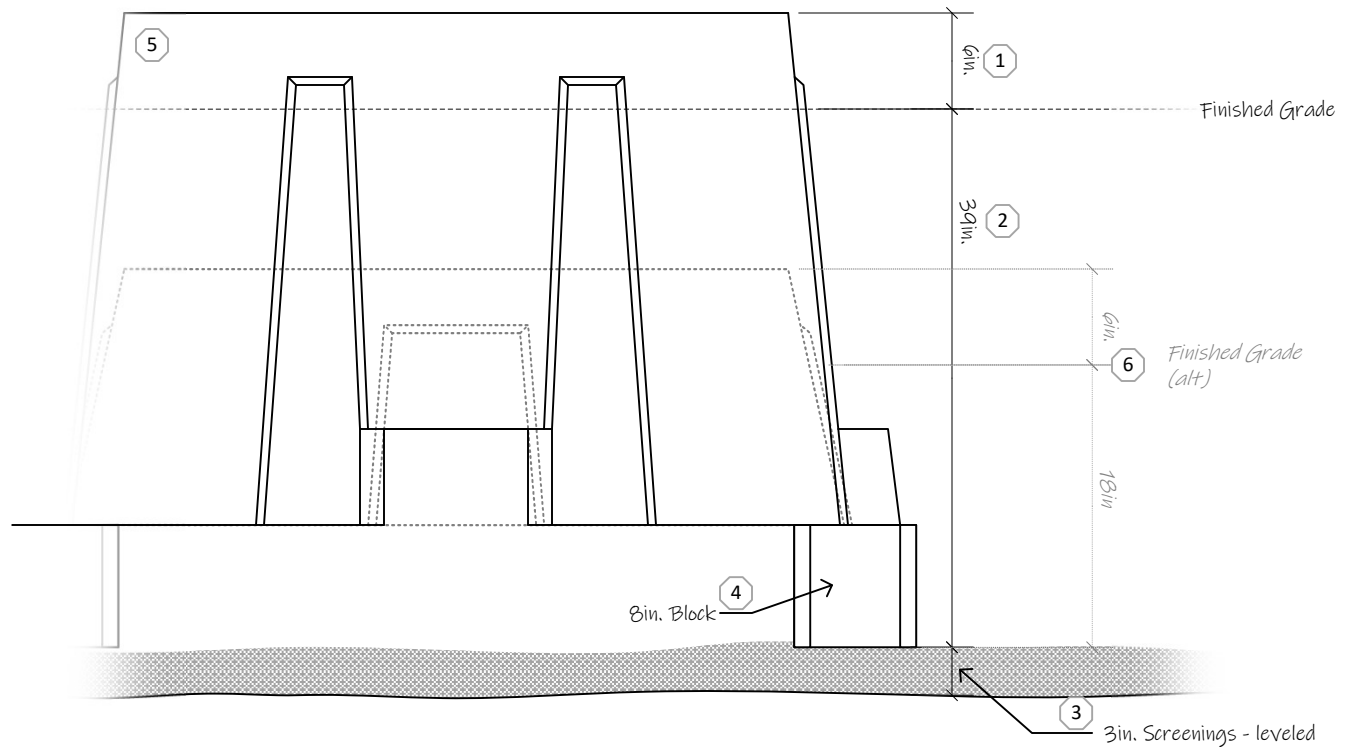
Underground Specifications

URD Primary Distribution Clearance & Backfill Requirements

CR-UG-02
Sh 03
20201029

Typical Pad-mounted Transformer Location

Single-phase - Profile
"Deep Pad"



Dial 8-1-1 or 1-800-242-1776 not less than 3 business days nor more than 10 business days prior to the start of excavation.

Pennsylvania One Call System Serial Number

Specifications subject to change without notice, current revision available upon request.

Approved: 

© 2020 Citizens' Electric Co



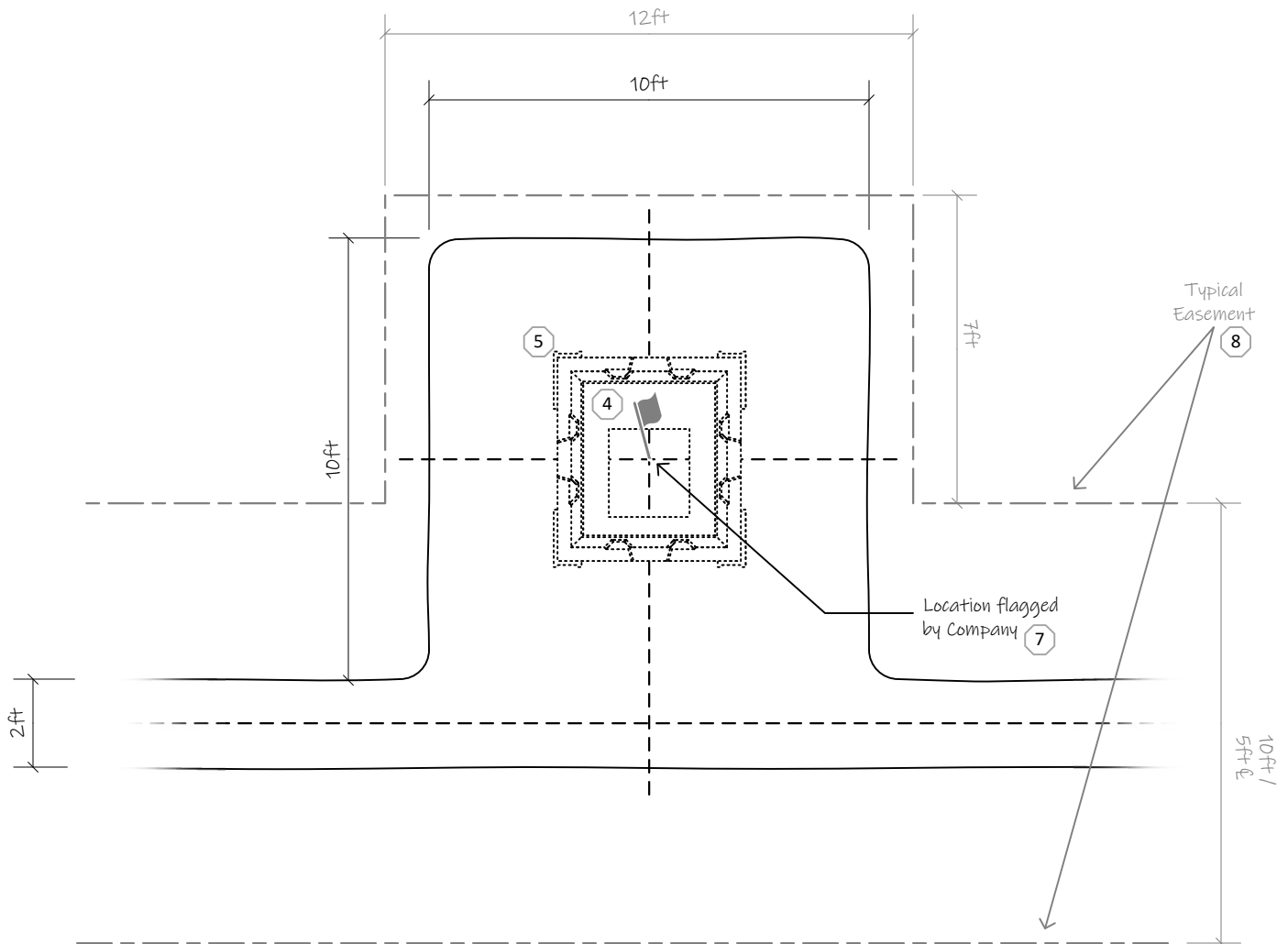
Underground Specifications

URD Primary Distribution Clearance & Backfill Requirements

CR-UG-02
Sh 04
20201029

Typical Pad-mounted Transformer Location

'Offset' Pad Excavation - Plan View



Dial 8-1-1 or 1-800-242-1776 not less than 3 business days nor more than 10 business days prior to the start of excavation.

Pennsylvania One Call System Serial Number

Specifications subject to change without notice, current revision available upon request.

Approved:

© 2020 Citizens' Electric Co

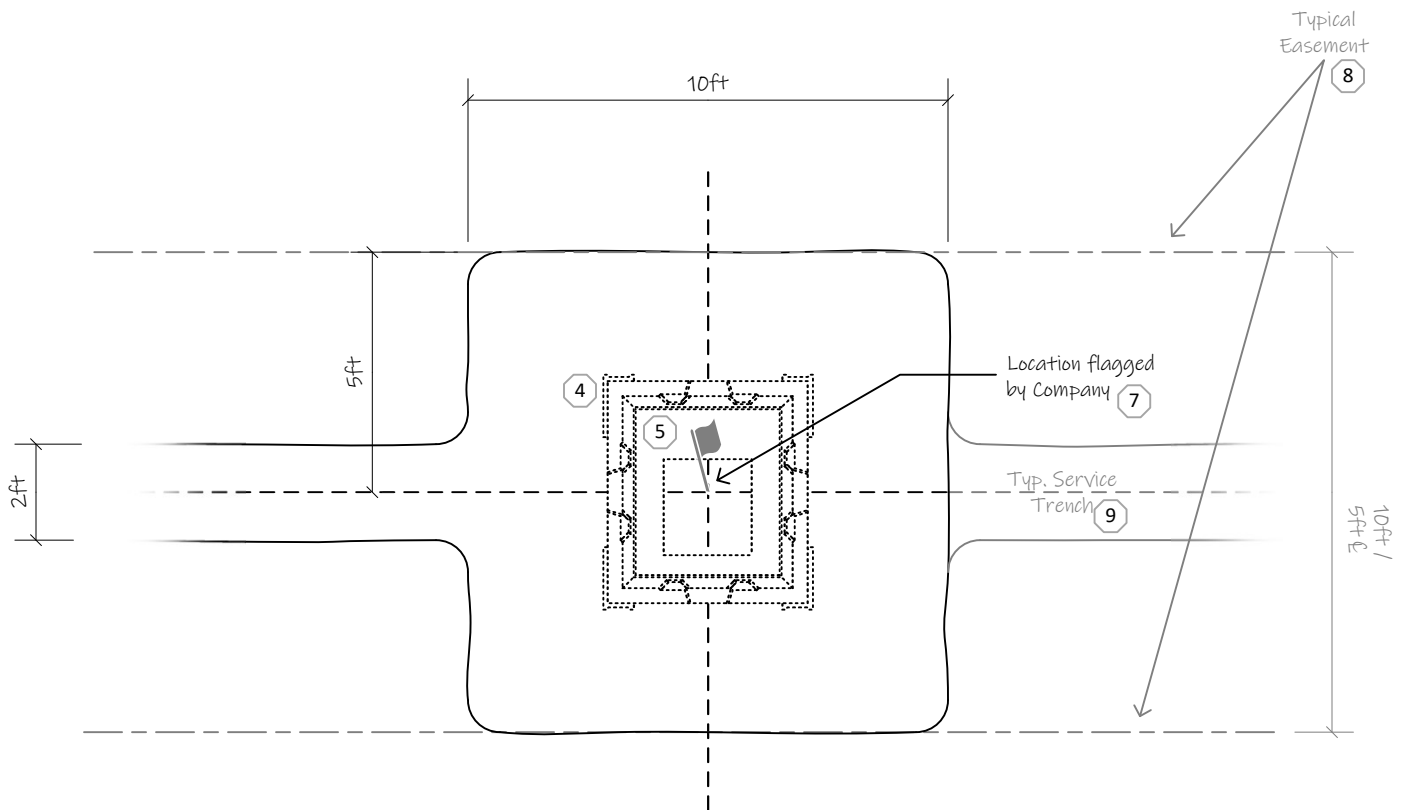


Underground Specifications

URD Primary Distribution Clearance & Backfill Requirements

CR-UG-02
Sh 05
20201029

Typical Pad-mounted Transformer Location 'In-line' Pad Excavation - Plan View



Dial 8-1-1 or 1-800-242-1776 not less than 3 business days nor more than 10 business days prior to the start of excavation.

Pennsylvania One Call System Serial Number

Specifications subject to change without notice, current revision available upon request.

Approved: *MBJ*

© 2020 Citizens' Electric Co



Underground Specifications

CR-UG-02
Sh 06
20201029

URD Primary Distribution Clearance & Backfill Requirements

General Notes:

1. Customer/Excavator is responsible to notify the Pennsylvania One Call System between 3 and 10 days prior to any excavation. Excavation shall comply with the PA Underground Utility Line Protection Law ('UULPA'). More information is available at www.pa1call.org.
2. Trench requirements represent typical installation. Company may specify additional requirements at its discretion in advance of excavation. Deviations from typical installation at customer or contractor request subject to Company approval.

Drawing Notes:

- 1 Top of box pad shall be installed 6" above finished grade
- 2 Trench depth of 39" to top of screenings to align with distribution and service trench floors.
- 3 Bottom of trench shall be filled with minimum 3" of stone screenings or sand. Screenings shall be roughly leveled to accommodate level installation of blocks and box pad.
- 4 8" blocks provided and installed by Company.
- 5 Fiberglass box pad provided and installed by Company.
- 6 Company may specify "Shallow Pad" installation at its discretion. Depth of trench shall be reduced to 18" to top of screenings.
- 7 Company may flag center of transformer excavation in field, or provide location relative to plans for excavation. Contact engineering department if transformer location is uncertain.
- 8 Typical underground utility easement 5ft C/L with 7x12ft addition offset for transformer location. Easements may vary dependent on age, site limitations and future needs.
- 9 Service trench to exit transformer pad excavation as required by individual site configuration.