



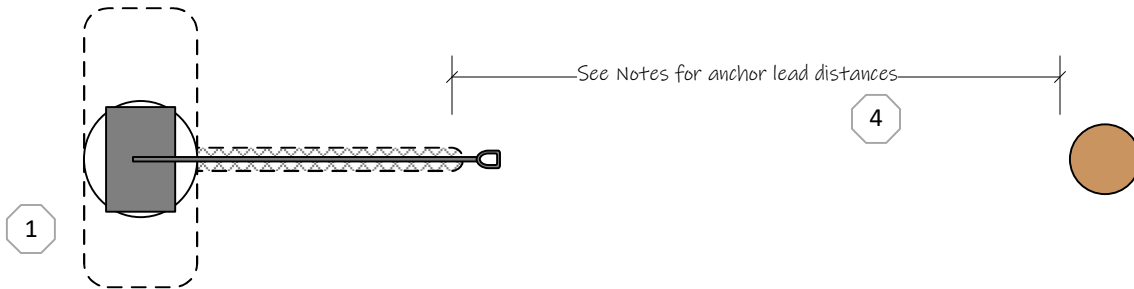
Overhead Specifications
Customer Owned Poles
Customer Installed Anchor

CR-OH-02
 Sh 01
 20211220

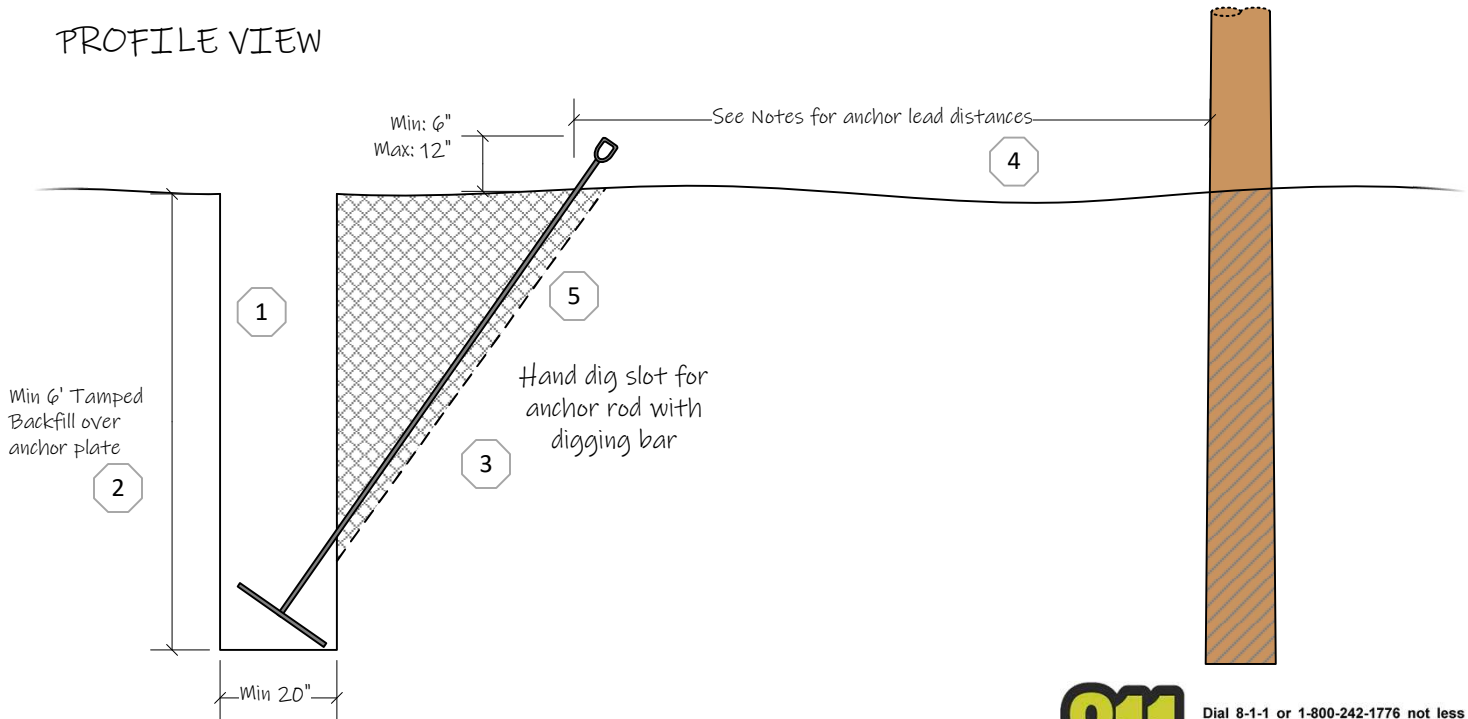
Customer Installed Anchor on Customer Owned Pole

Cross-Plate Anchor

PLAN VIEW



PROFILE VIEW



Dial 8-1-1 or 1-800-242-1776 not less than 3 business days nor more than 10 business days prior to the start of excavation.

Pennsylvania One Call System Serial Number

Specifications subject to change without notice, current revision available upon request.

Approved:

Signature

© 2021 Citizens' Electric Co



Overhead Specifications

CR-OH-02
Sh 02
20211220

Customer Owned Poles Customer Installed Anchor

General Notes:

1. Customer/Excavator is responsible to notify the Pennsylvania One Call System between 3 and 10 days prior to any excavation. Excavation shall comply with the PA Underground Utility Line Protection Law ('UULPA'). More information is available at www.pa1call.org.
2. Representative of a typical installation. Company may specify additional requirements at its discretion in advance of installation. Deviations from typical installation at customer or contractor request subject to Company approval.
3. Consult with Citizens' Electric Engineering for any necessary clarifications.
4. Citizens' Electric may refuse any improper or apparently unsafe installations and may halt its construction until installation is corrected. This may result in increased costs to customer/contractor for down time.

Drawing Notes:

- 1 Minimum 20" diameter hole for anchor plate. Large hole will provide easier working conditions. If using an excavator, dig trench for anchor plate perpendicular to direction of anchor rod/guy wire.
- 2 Minimum of 6' well tamped backfill required over anchor plate. **Reduced depth or failure to properly tamp fill may compromise stability of pole.**
- 3 Slot for anchor rod not to exceed 4" in width. Tamp with butt of digging bar when backfilling.
- 4 Lead length (distance from pole to point where anchor rod breaks ground line) should be:
At least 60% of height of guy wire attachment on pole.
No more than 170% of height of guy wire attachment on pole.
Ideally ~75% of height of guy wire attachment on pole.

For uneven ground, slope (rise : run) of guy wire should be:
At least 60% (6:10)
Not more than 165% (16.5:10)
Ideally 135% (13.5:10)
- 5 Slope of anchor rod should match expected slope of guy wire.