



# Overhead Specifications

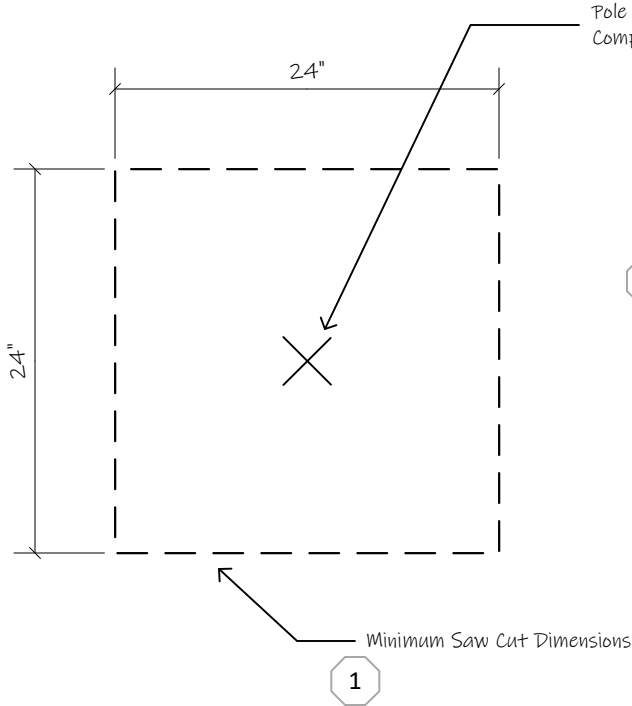
## Company Owned Poles Pavement Around Poles

CR-OH-01  
Sh 01  
20210902

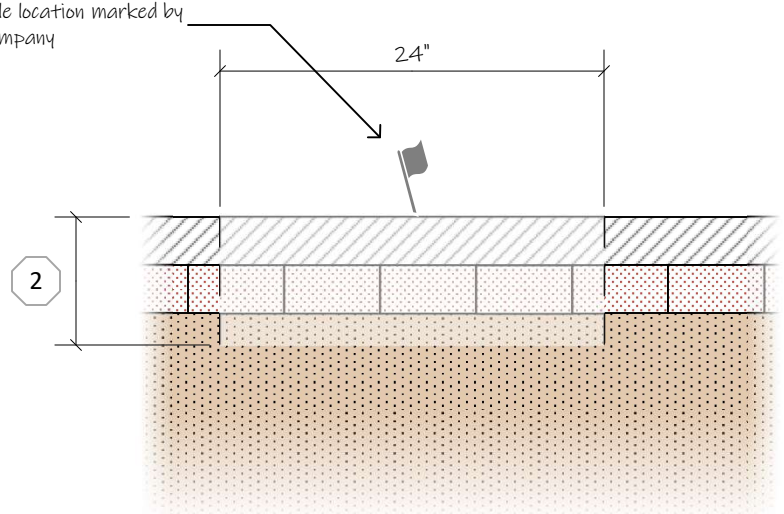
### Accommodations for Company-owned poles in paved surfaces

Opening pavement for installation of new pole

Plan View



Profile View



Dial 8-1-1 or 1-800-242-1776 not less than 3 business days nor more than 10 business days prior to the start of excavation.

Pennsylvania One Call System Serial Number \_\_\_\_\_

Specifications subject to change without notice, current revision available upon request.

Approved: 

© 2021 Citizens' Electric Co



## Overhead Specifications

CR-OH-01  
Sh 02  
20210902

### Company Owned Poles Pavement Around Poles

#### **General Notes:**

1. Customer/Excavator is responsible to notify the Pennsylvania One Call System between 3 and 10 days prior to any excavation. Excavation shall comply with the PA Underground Utility Line Protection Law ('UULPA'). More information is available at [www.pa1call.org](http://www.pa1call.org).
2. Pavement removal represents typical installation. Company may specify additional requirements at its discretion in advance of excavation. Deviations from typical installation at customer or contractor request subject to Company approval.

#### **Drawing Notes:**

- 1 Minimum area of cut, customer/contractor may remove additional area at their discretion. If pole has underground conduits/cables attached, discuss additional area required with Company.
- 2 Cut and remove all solid material down to earth/fill, Company will supply additional backfill material as required under normal circumstances.